

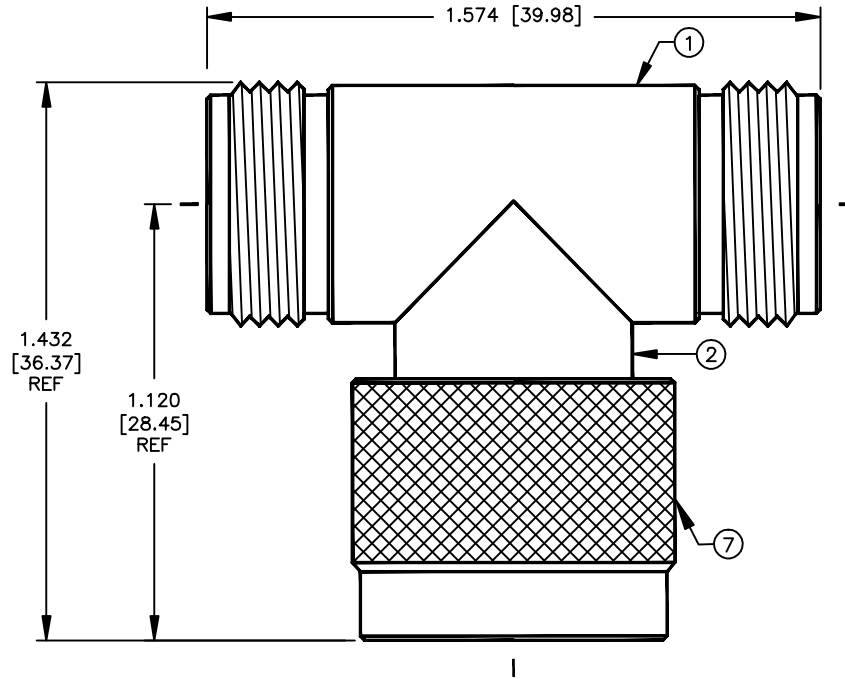
SPECIFICATION CONTROL DRAWING

THIS DRAWING CONTAINS INFORMATION PROPRIETARY TO RF INDUSTRIES, LTD. ANY UNAUTHORIZED USE OF THIS DRAWING IS EXPRESSLY PROHIBITED. ANY VIOLATION IS PUNISHABLE UNDER U.S. COPYRIGHT LAWS.

REV	DESCRIPTION	DWN	DATE	APPROVED
C	STANDARDIZE	KMM	5/24/94	R. RICE
D	CHANGE RET RING TO BeCu / CHANGE PIN & CONTACT OD	KMM	7/25/95	R. RICE
E	CHANGE CONTACT-PIN OD / CHG RETAINING RING MATERIAL	CZS	5/22/98	R. RICE
F	STANDARDIZE SHELL-BODY DIMENSIONS	CZS	9/22/99	R. RICE

ALL DIMENSIONS ARE REFERENCE ONLY

000000



SPECIFICATIONS:

IMPEDANCE: 50 OHMS
 WORKING VOLTAGE: 1000 VRMS @ SEA LEVEL
 FREQUENCY RANGE: 0-11 GHz
 INTERFACE PER MIL-STD-348, SECTION 304.1 & 304.2

ITEM	DESCRIPTION	QTY	MATERIAL	FINISH
10	PRESS FIT GROUND RING	1	BRASS	SILVER
9	RETAINING RING	1	PHOS BRONZE	NONE
8	GASKET	1	S.I. RUBBER	RED
7	SHELL	1	BRASS	SILVER
6	PRESS FIT SLEEVE	1	BRASS	SILVER
5	DIELECTRIC	3	PTFE	NONE
4	PIN	1	BRASS	GOLD
3	CONTACT	1	BRASS	GOLD
2	BODY	1	BRASS	SILVER
1	BODY	1	BRASS	SILVER

DIMENSIONS ARE IN INCHES AND [MILLIMETERS]

UNLESS OTHERWISE NOTED TOLERANCES ARE:
 DECIMALS DIAMETER

DRAWN
C. ZUNIGA 9/22/99

CHECKED

ORJ DRAWN
P. BEAUX 1/17/91

APPROVALS DATE

RFconnectors
 DIVISION OF RF INDUSTRIES, LTD.

7610 MIRAMAR RD
 SAN DIEGO, CA 92126
 (858) 549-6340
 (858) 549-6345 FAX

RFN-1010-1/UG-107 B/U

N, "T" ADAPTER, 2 FEMALE, 1 MALE

SIZE	CABLE GROUP	DWG NO.	REV
A	N/A	7866	F

SCALE: 2:1

CAD FILE 13ARC B

SHEET 1 OF 1